

**Request for Proposal 2020-03
City of Parker
Cedar Avenue Retaining Wall**

**ADDENDUM NO. 1
REQUESTS FOR INFORMATION**

Issued January 8, 2021

The Bid Due date and time is unchanged and remains January 15, 2021 at 2:00 pm (CST).

1. Will the City of Parker allow the work to be completed by a marine contractor rather than a general contractor?

City's Response to Request for Information No. 1

Yes, the City will allow certified Florida Marine Contractors to submit bids for this project.

2. Can you provide a detail of the retaining wall handrail?

City's Response to Request for Information No. 2

Please refer to Attachment A of this addendum

3. As the scope appears to be marine in nature for the work above, would the City please consider the merit of accepting a Florida Marine Contractors License as an alternative source of qualification for the project.

City's Response to Request for Information No. 3

See City's response to Request for Information No. 1.

4. Is sufficient funding in place for this project?

City's Response to Request for Information No. 4

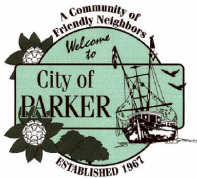
The City has funding for the project.

5. Is this project a rebid? If so, please send last bid tab sheet.

City's Response to Request for Information No. 5

No, this is not a rebid.

6. Regarding eligibility by a Florida Marine Specialty License, below is the broad inclusive scope of work specifically denoted by Florida State Statute...e.g. fixed docks, seawalls and bulkheads (seawalls and bulkheads are typically composed of; steel, aluminum, concrete, synthetic (i.e. vinyl, fiberglass or polymeric) or timber piling with walers and kingpile or tiebacks and deadman.



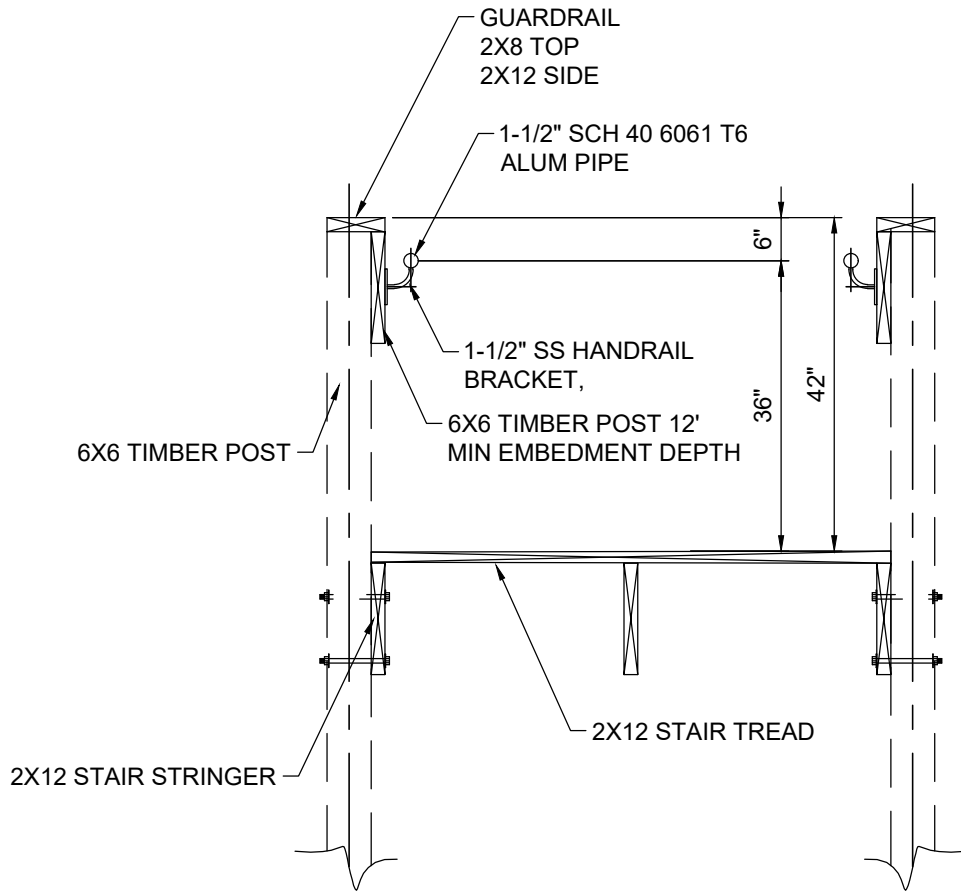
Request for Proposal 2020-03 City of Parker Cedar Avenue Retaining Wall

A marine contractor is a specialty contractor qualified and certified by the board to perform any work involving the construction, repair, alteration, extension and excavation for fixed docks, floating docks, boathouses, mooring devices, mooring fields, seawalls, bulkheads, piers, wharfs, boatlifts, boat ramps, revetments, cofferdams, wave attenuators, dune crossovers and other marine structures and activities, including pile driving, framing, concrete, masonry, dredge and fill, and wood shingle, wood shakes, or asphalt or fiberglass shingle roofing on a new structure of his or her own construction.

Much like an underground utility license, or a marine contractor's license, those carrying such a qualification specialize in the specific type of work for which they are certified by the State...whereas a general contractor is eligible to pursue marine work, they often subcontract specialty scopes of work to those marine contractors who routinely self-perform such work.

City's Response to Request for Information No. 6

See City's response to Request for Information No. 1.



STAIRWAY HANDRAIL